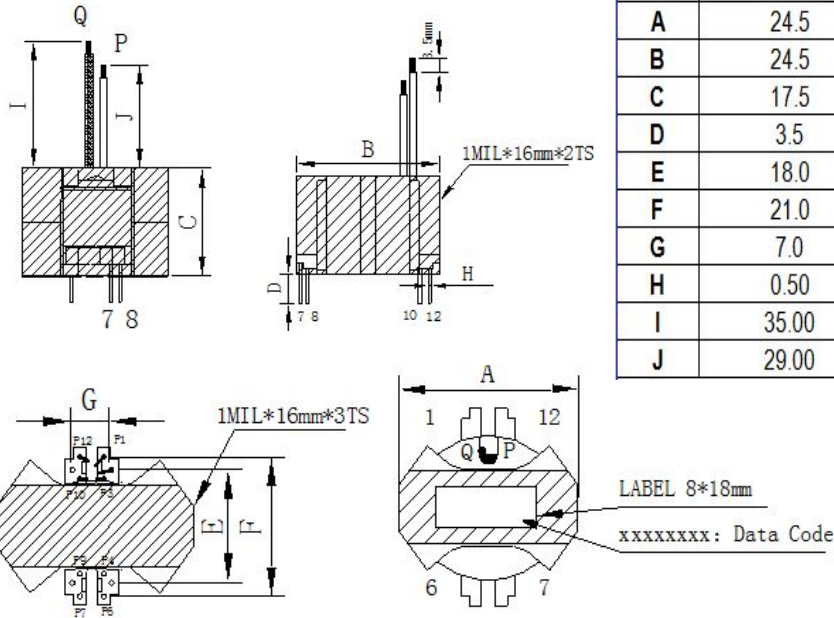


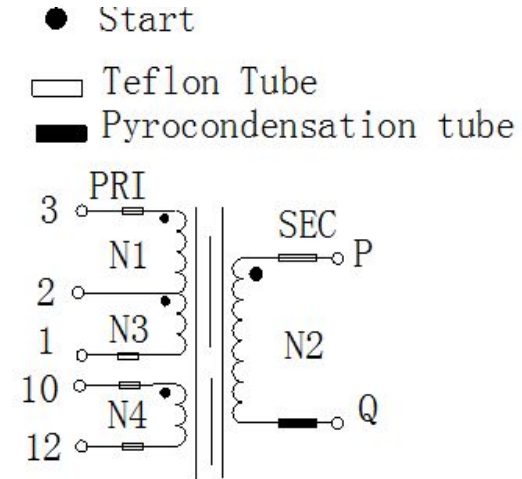
CUSTOMER TERMINAL	ROHS	Lead(Pb)-free
	YES	YES

1. Mechanical Dimensions



A	24.5	MAX
B	24.5	MAX
C	17.5	MAX
D	3.5	±0.5
E	18.0	±0.5
F	21.0	±0.5
G	7.0	±0.5
H	0.50	±0.1
I	35.00	±1
J	29.00	±1

2. Schematic Diagram



3. Material List

Core:FW44 RM8
 Bobbin:FWB0804(6+6PIN)
 Wire:2UEW TIW
 Operating Temperature: -30 to115 °C

4. Electrical Specification

Inductance : L(1-3):2.1mH±5% 50KHZ , 1.0V
 Leakage inductance: 55uH MAX 50KHZ , 1.0V
 DCR : (3-1)=3.1Ω MAX (10-12)=0.8Ω MAX
 Hi-Pot:P-S: AC 60Hz 4000V 1mA 3S
 S-CORE:AC 60Hz 4000V 1mA 3S

REV.	DATE	<p>Convention Placement</p>	DRW.	Drawing Title: TRANSFORMER	Part No: FWPTRM8V212J
0	00/00		CHK.		
			APP.		
ROHS		www.ferriwo.com	Customer P/N	Specification Sheet 1of 1	